

## Remote thermometer in plastic housing with drum dial

Product line T4753 61 x 28  
Product line T4755 62 x 29  
Product line T4759 70 x 14



### Description

The housings of this product line are equipped with moulded clips, providing easy and secure panel installation in vibration-free areas.

Measurements are recorded by the liquid-filled measuring system, which consists of a temperature sensor, a capillary tube and a Bourdon spring. These three components combine to form a closed tube system.

The internal pressure in this system changes depending on the temperature, which causes the pointer axle connected to the spring to rotate and display the temperature value on the scale.

Temperatures of between  $-40^{\circ}\text{C}$  and  $+200^{\circ}\text{C}$  are rapidly and accurately indicated by the closed system.

The capillary tube, which is between 500 mm and 3000 mm in length, allows measurements to be taken at any point using a mechanical remote display.

### Features

- Fast response time
- Measuring point and display in different locations
- Compact housing
- Easy installation with clips.

### Measuring ranges

$-40 \dots +40^{\circ}\text{C}$  up to  $0 \dots +200^{\circ}\text{C}$

### Options

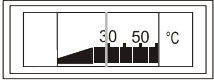

- Measuring range  $^{\circ}\text{F}$

### Applications

refrigeration industry  
freezers  
refrigerators

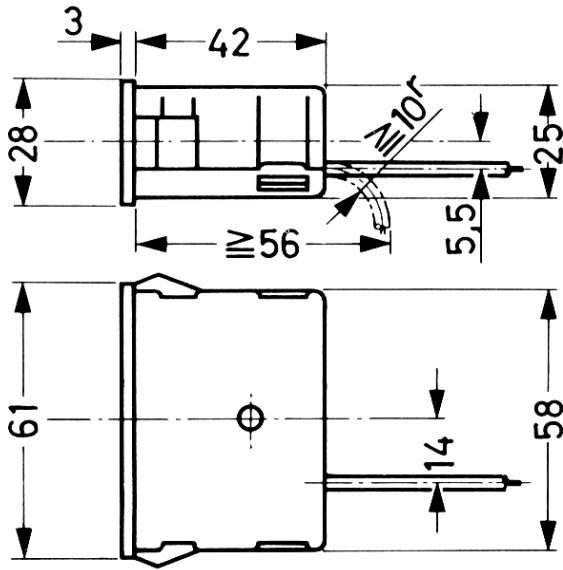
**Model: T4753, T4755, T4759**

## Technical data

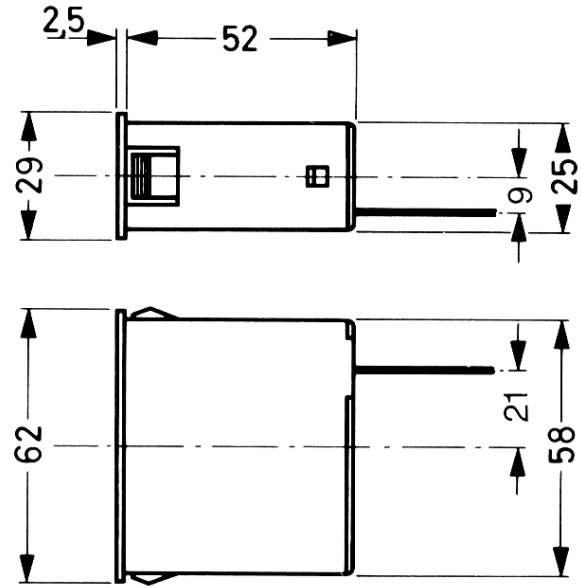
Model	T4753	T4755	T4759
Symbol			
Nominal size	61 x 28	62 x 29	70 x 14
Case	plastic ABS		
Type of mounting	Panel mounting with clamp		
Window	plastic transparent		
Measuring range and scale division	Measuring range in °C	limit of error ± °C	scale division in °C
	-40... +40	2	1
	-40... +60	2	1
	-30... +50	2	1
	-20... +60	2	1
	-20... +80	2	1
	0... 60	2	1
	0... 80	2	1
	0... 100	2	1
	0... 120	4	2
0... 160	4	2	
0... 200	4	2	
Display accuracy	± 3 % of measuring range	± 2 % of measuring range	
Connection capillary	back		
Capillary tube	plastic coated or copper braided acc. to measuring range, capillary Cu.-alloy		
length	max. 3000 mm	max. 5000 mm	
Stem	Cu.-alloy		
Filled media	XyloI		
Measuring principle	Liquid expansion		
max. temperature	case: -20 bis +70°C		
Protection class	IP 54 (EN 60529/ IEC 529)		

# Dimensions

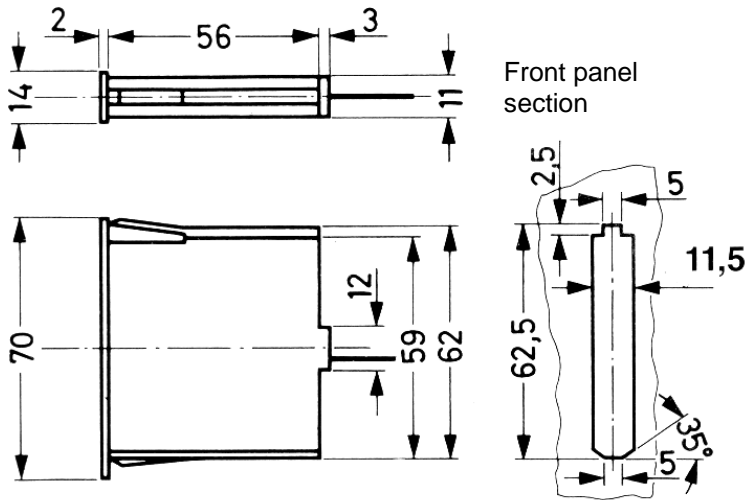
**Model T4753 61 x 28**



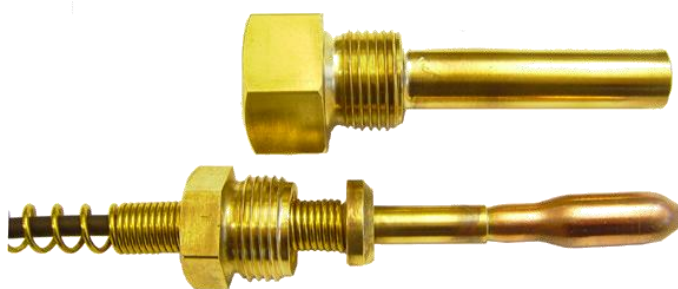
**Model T4755 62 x 29**


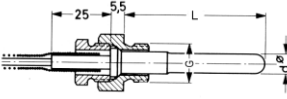
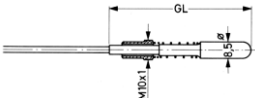


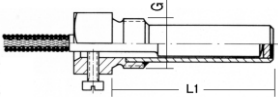
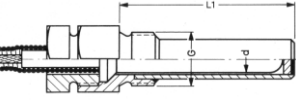
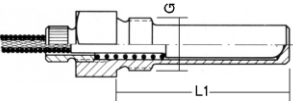
**Model T4759 70 x 14**



# Stem and thermowells



Stem	plain; without thread	turnable with sealing cone and screwing	turnable with fixation spring
Material	Cu.-alloy	Cu.- alloy	Cu.- alloy
Stem length L	50 mm 75 mm 100 mm 150 mm 175 mm	50 mm 75 mm 100 mm 150 mm 175 mm	75 mm 100 mm 125 mm 175 mm
Stem diameter $\varnothing d$	6 mm 8 mm 8,5 mm 10 mm	6 mm 8 mm 8,5 mm 10 mm	8,5
Dimensions			
Thread G		M14x1,5 M16x1,5 M18x1,5 G 1/4 G 3/8 G 1/2	

Thermowell	multipart jacket for plain sensor fixation	multipart jacket for sensors with sealing cone	multipart jacket for sensors with fixation spring
Material	Cu.- alloy	Cu.- alloy	Cu.- alloy
Immersion length L1	100 mm 150 mm 200 mm	80 mm 100 mm 150 mm 200 mm	32 mm 45 mm 75 mm 100 mm 125 mm
Dimensions			
Thread G	G 3/8 G 1/2	G 3/8 G 1/2 M14x1,5	G 1/4 G 3/8 G 1/2 M18x1,5

## Ordering informations

Model / Measuring range / length of capillary tube / stem / options

Subject to technical changes